

4 PARTS LIST

The following parts list is maintained for the UPI structural components.

The product code consists of two four-digit parts: the first part refers to the product group and the second to the part number.

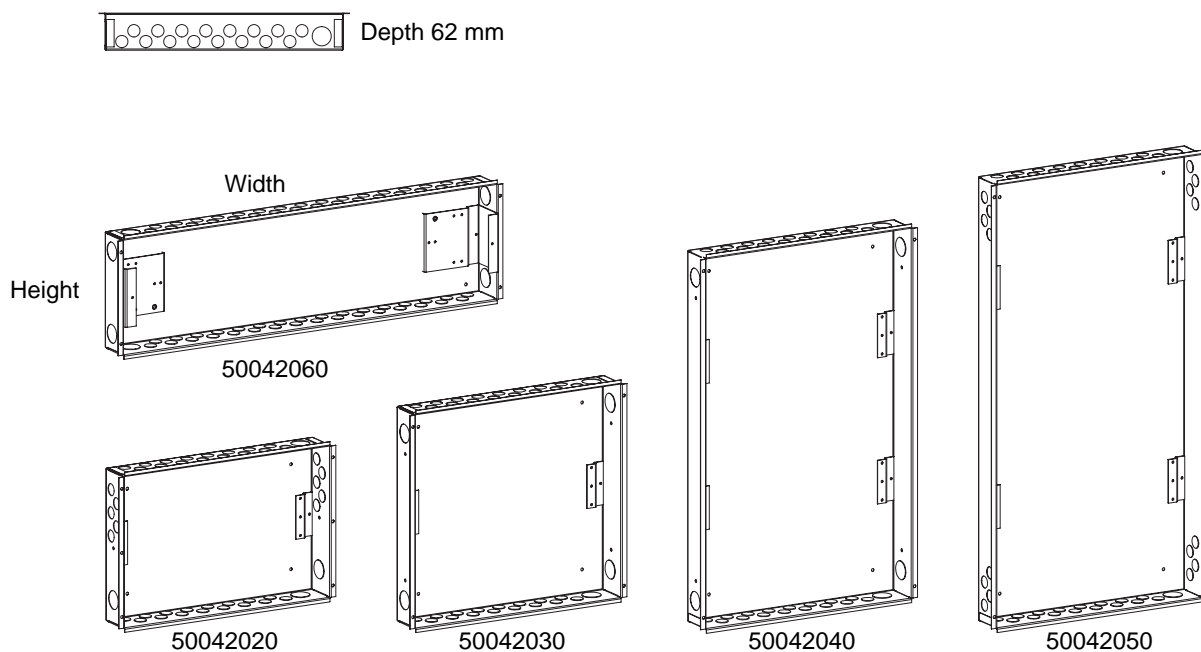
The serial number of the component group is added to the end of the product group code (5004) according to the size of the component.

The part list is updated as required by product changes and amendments of specifications.

TABLE OF CONTENTS:

	Page
Flush-mounted box.....	18
Inner frame.....	19
Surface-mounted frame.....	20
Door and cover.....	21
Data Flush-mounted box.....	22
Data Inner frame.....	23
Data Surface-mounted frame.....	24
Data Door and cover.....	25
Data RJ Panel.....	26
Data parts.....	27
Data RJ Series.....	27
RJ-panel 24.....	28
Blind covers and mounting pieces.....	29
Tele 3D.....	29

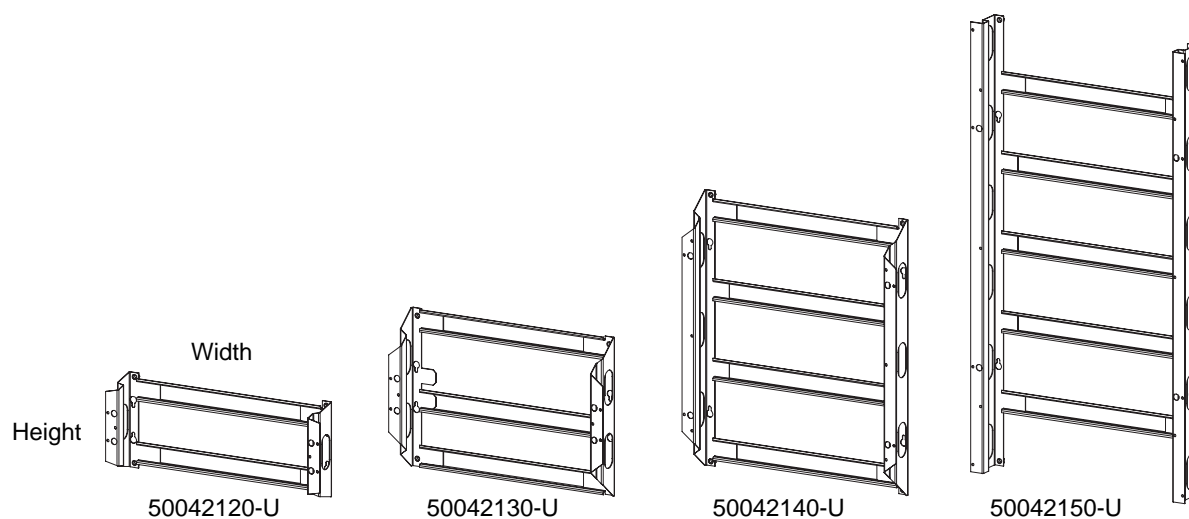
FLUSH-MOUNTED BOX



Code	Description	Type	Width mm	Height mm
50042020	Flush-mounted box 1D	18 MOD+N/PE	397	263
50042030	Flush-mounted box 3D	36 MOD+N/PE	397	370
50042040	Flush-mounted box 4D	72 MOD	397	640
50042050	Flush-mounted box 5D	72 MOD+N/PE	397	766
50042060	Flush-mounted box 200 + inner frame	30 MOD	720	200

The sides of the flush-mounted box are equipped with pre-punched knock-outs and the box is also provided with mounting brackets for the inner frame.

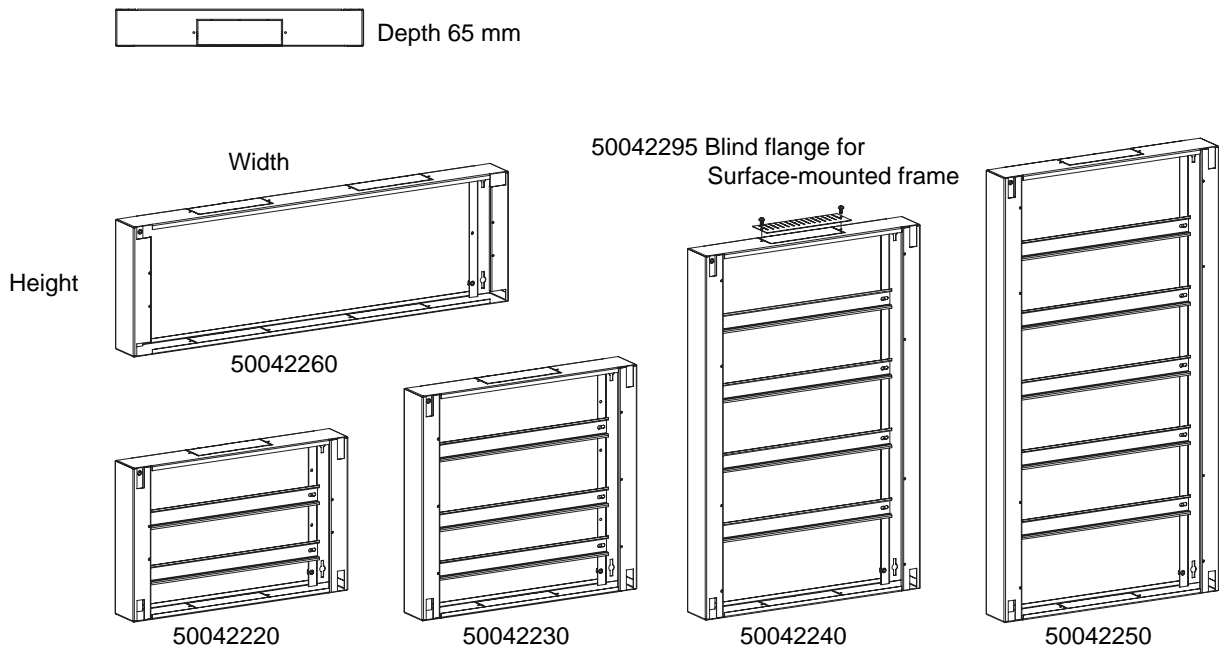
INNER FRAME



Code	Description	Type	Width mm	Height mm
50042120-U	Inner frame 1D	18 MOD+N/PE	377	150
50042130-U	Inner frame 3D	36 MOD+N/PE	377	250
50042140-U	Inner frame 4D	72 MOD	377	435
50042150-U	Inner frame 5D	72 MOD+N/PE	377	711

For each flush-mounted box, there is a corresponding inner frame, to which the components can be mounted with DIN rail fasteners.

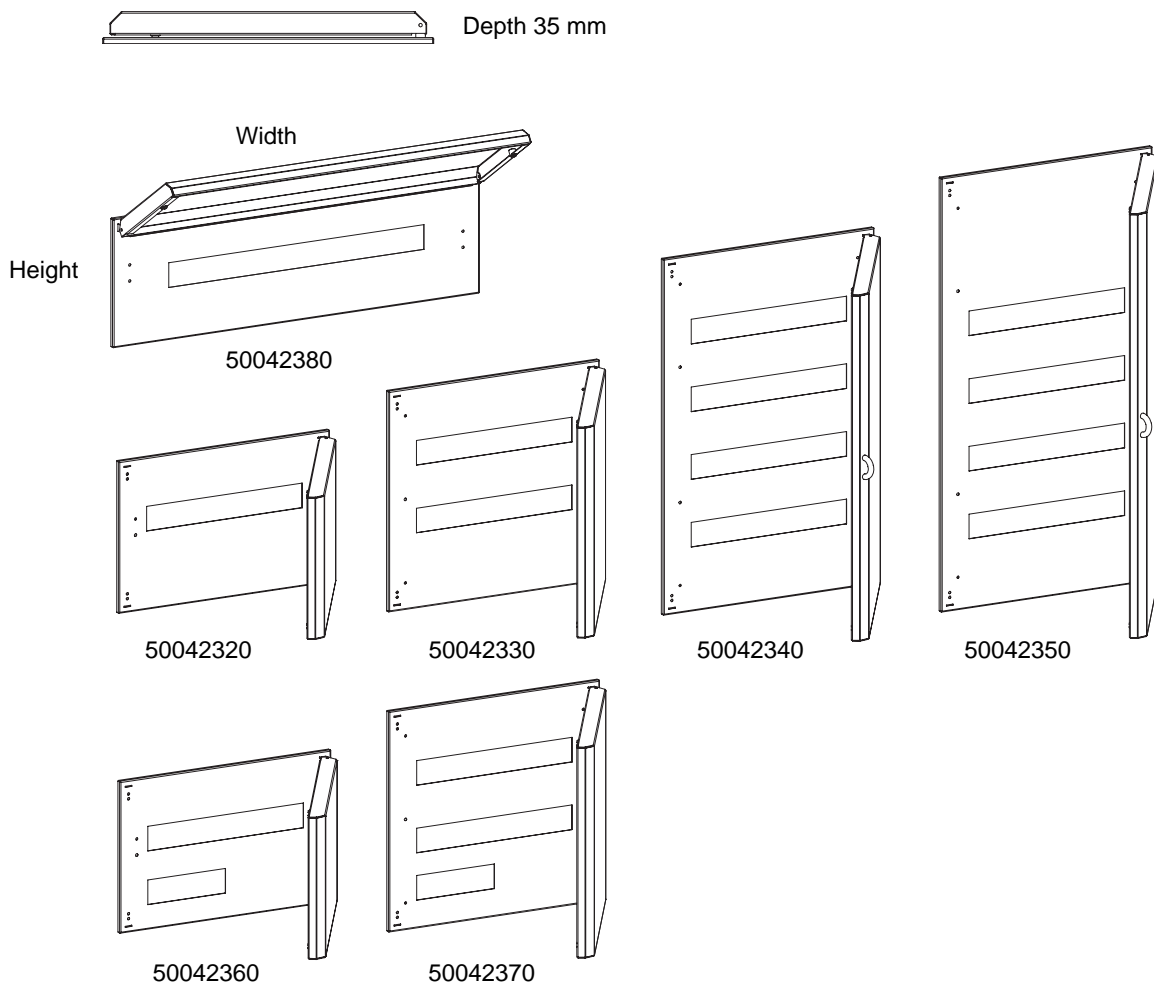
SURFACE-MOUNTED FRAME



Code	Description	Type	Width mm	Height mm
50042220	Surface-mounted frame 1D	18 MOD+N/PE	433	278
50042230	Surface-mounted frame 3D	36 MOD+N/PE	433	406
50042240	Surface-mounted frame 4D	72 MOD	433	658
50042250	Surface-mounted frame 5D	72 MOD+N/PE	433	804
50042260	Surface-mounted frame 200	30 MOD	755	234
50042295	Blind flange for Surface-mounted frame		170	50

The ends of the surface-mounted frame are provided with wiring holes for cable conduits. No inner frame is used with conjunction with the surface-mounted frame, because it is provided with pre-installed DIN rails.

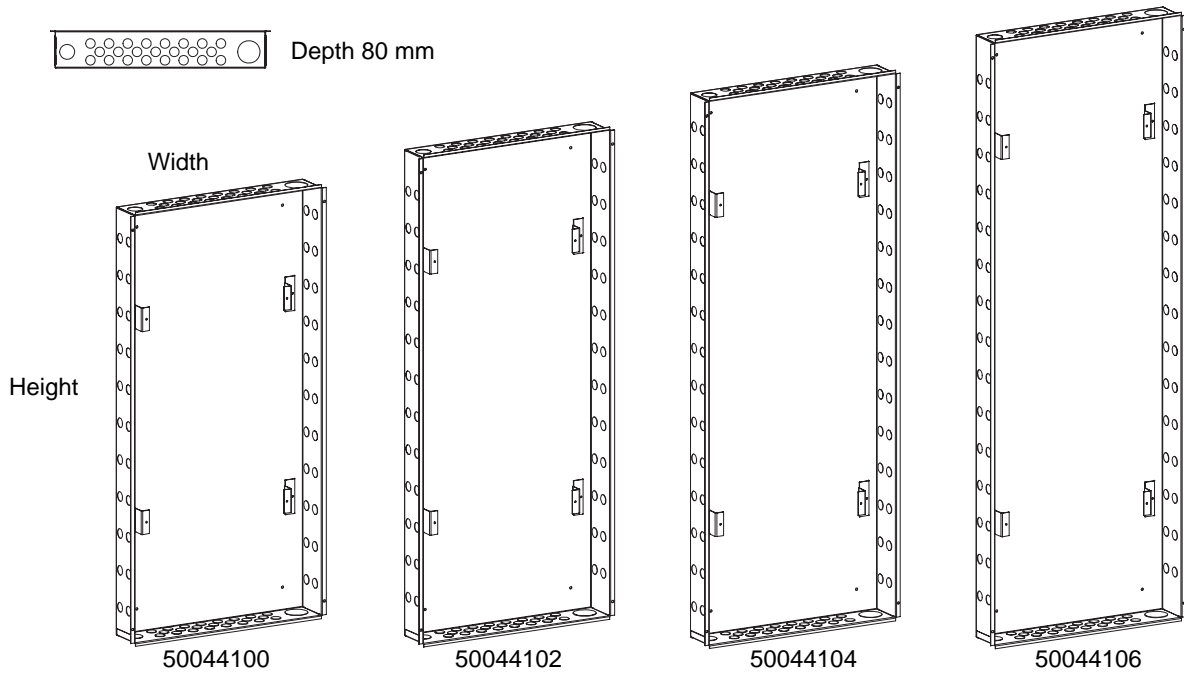
DOOR AND COVER



Code	Description	Type	Width mm	Height mm
50042320	Door and cover 1D	18 MOD+N/PE	438	283
50042330	Door and cover 3D	36 MOD+N/PE	438	411
50042340	Door and cover 4D	72 MOD	438	663
50042350	Door and cover 5D	72 MOD+N/PE	438	809
50042360	Door and cover 1D 1.5 sections	27 MOD	438	283
50042370	Door and cover 3D 2.5 sections	45 MOD	438	411
50042380	Door and cover 200	30 MOD	761	240
50042390	Door and cover 3D 14 mm	36 MOD+N/PE	438	411

For each enclosure size, there is a corresponding door and cover combination. The product is delivered assembled, including (depending on the model) the door, cover, hinges, handle and magnets.

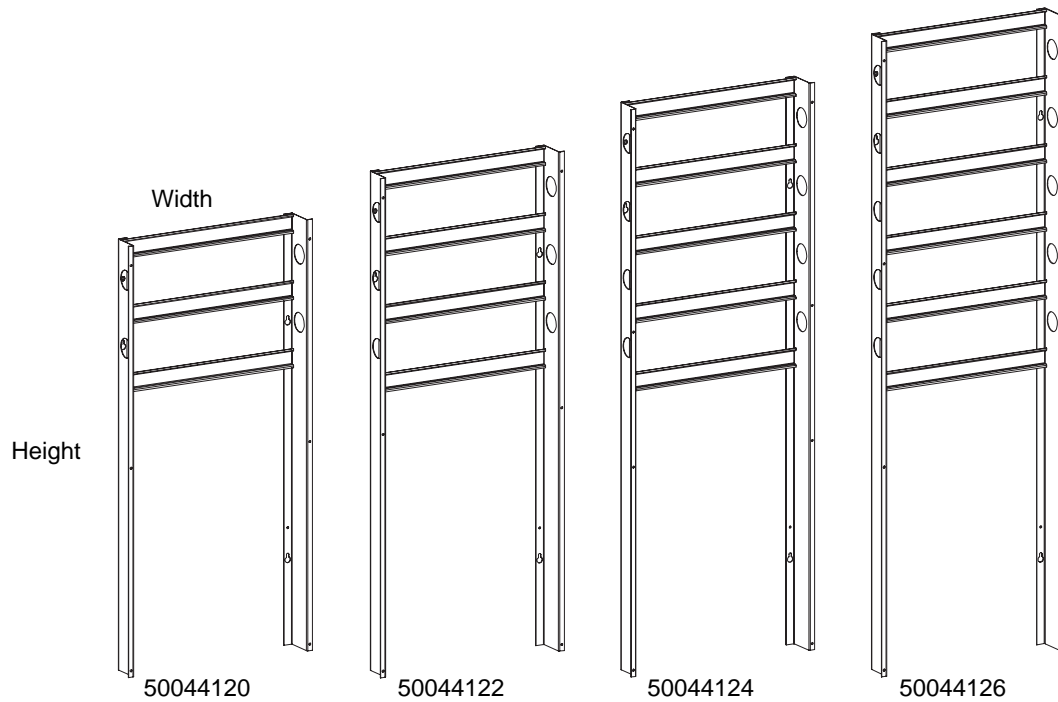
DATA FLUSH-MOUNTED BOX



Code	Description	Type	Width mm	Height mm
50044100	Flush-mounted box	36 MOD	454	928
50044102	Flush-mounted box	54 MOD	454	1054
50044104	Flush-mounted box	72 MOD	454	1180
50044106	Flush-mounted box	90 MOD	454	1306

The sides of the flush-mounted box are equipped with pre-punched knock-outs and the box is also provided with mounting brackets for the inner frame.

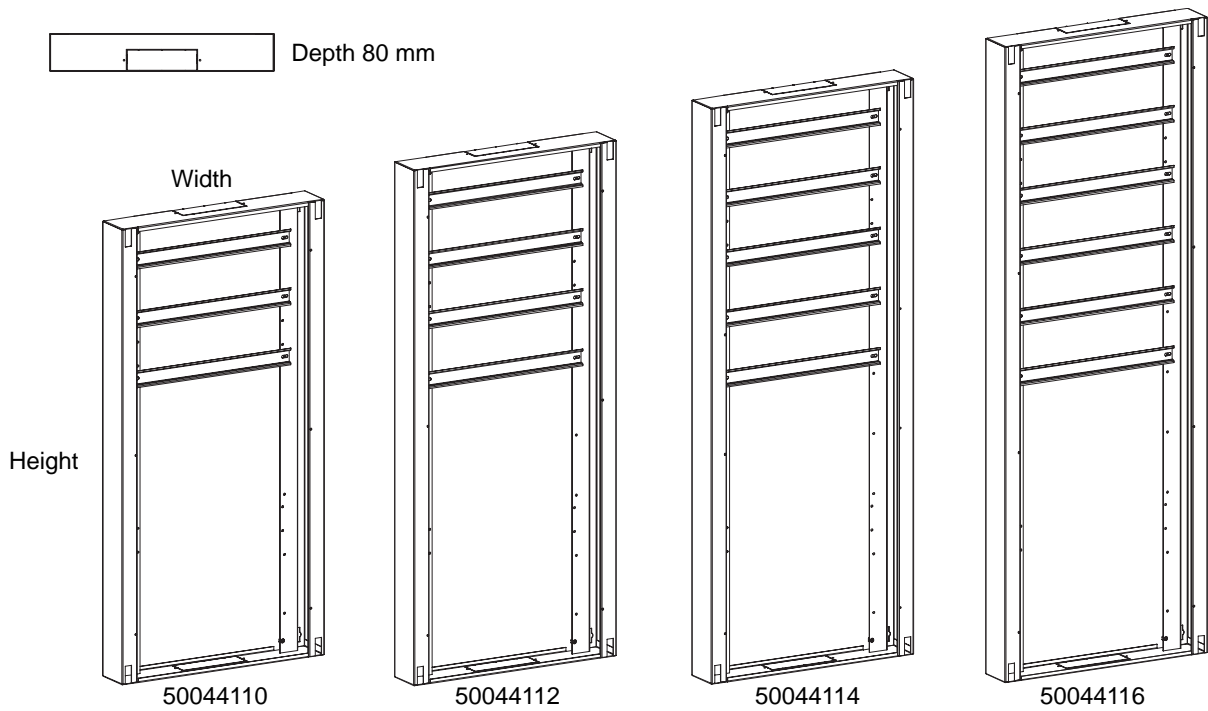
DATA INNER FRAME



Code	Description	Type	Width mm	Height mm
50044120	Inner frame	36 MOD	359	798
50044122	Inner frame	54 MOD	359	924
50044124	Inner frame	72 MOD	359	1050
50044126	Inner frame	90 MOD	359	1176

For each flush-mounted box, there is a corresponding inner frame, to which the components can be mounted with DIN rail fasteners.

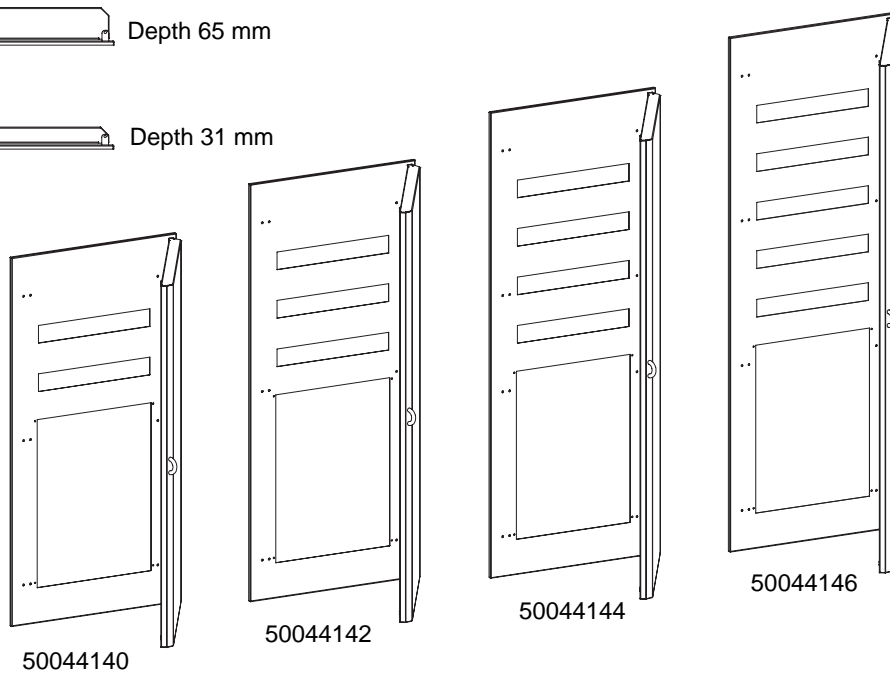
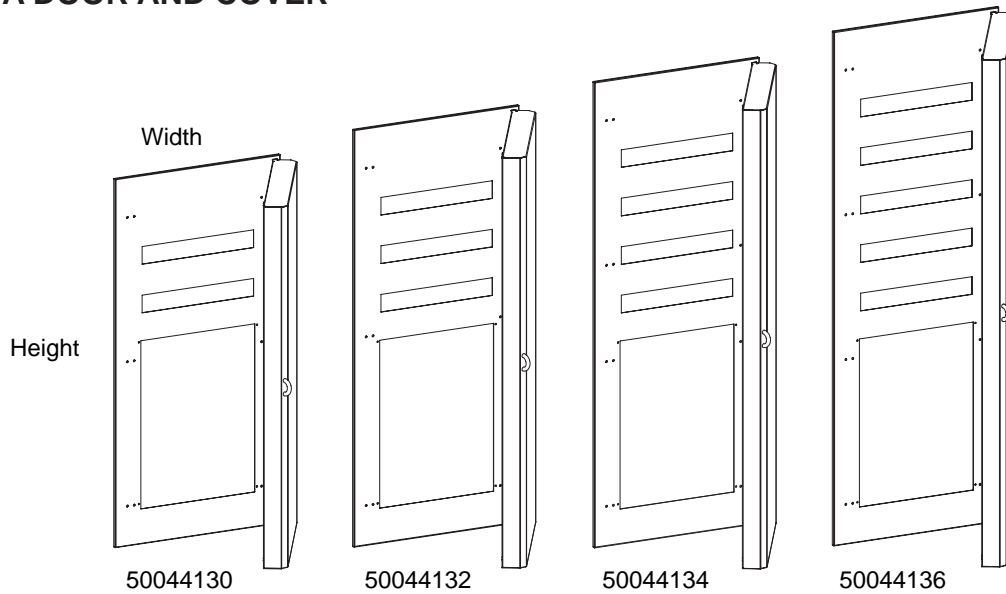
DATA SURFACE-MOUNTED FRAME



Code	Description	Type	Width mm	Height mm
50044110	Surface-mounted frame	36 MOD	473	954
50044112	Surface-mounted frame	54 MOD	473	1080
50044114	Surface-mounted frame	72 MOD	473	1206
50044116	Surface-mounted frame	90 MOD	473	1332

The ends of the surface-mounted frame are provided with wiring holes for cable conduits. No inner frame is used in conjunction with the surface-mounted frame, because it is provided with pre-installed DIN rails.

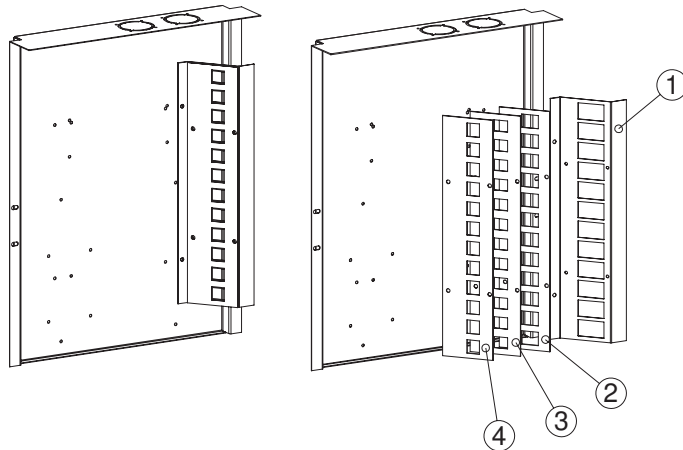
DATA DOOR AND COVER



Code	Description	Type	Width mm	Height mm
50044130	Door and cover	36mod 65mm	478	958
50044132	Door and cover	54mod 65mm	478	1084
50044134	Door and cover	72mod 65mm	478	1210
50044136	Door and cover	90mod 65mm	478	1336
50044140	Door and cover	36mod 31mm	478	958
50044142	Door and cover	54mod 31mm	478	1084
50044144	Door and cover	72mod 31mm	478	1210
50044146	Door and cover	90mod 31mm	478	1336

For each enclosure size, there is a corresponding door and cover combination. The product is delivered assembled, including (depending on the model) the door, cover, hinges, handle and magnets.

DATA RJ-PANEL



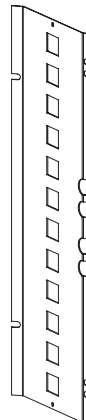
RJ/45 Series includes:

- ①. RJ 22 * 36
- ②. RJ 18 * 23 adapter
- ③. RJ 15 * 19 adapter
- ④. RJ 18 * 17 adapter

Code	Description	Type	Width mm	Height mm
50043510	Data RJ-panel 8	15*20	224	112
50043511	Data RJ-panel 8	15*19	224	112
50043512	Data RJ-panel 8	18*23	224	112
50043514	Data RJ-panel 8	22*36	224	112
50043516	Data RJ-panel 8	18*17	224	112
50043530	Data RJ-panel 12	15*19	330	112
50043531	Data RJ-panel 12	15*20	330	112
50043532	Data RJ-panel 12	18*23	330	112
50043534	Data RJ-panel 12	22*36	330	112
50043536	Data RJ-panel 12	18*17	330	112
50044060	RJ/45 Series	Data	330	112

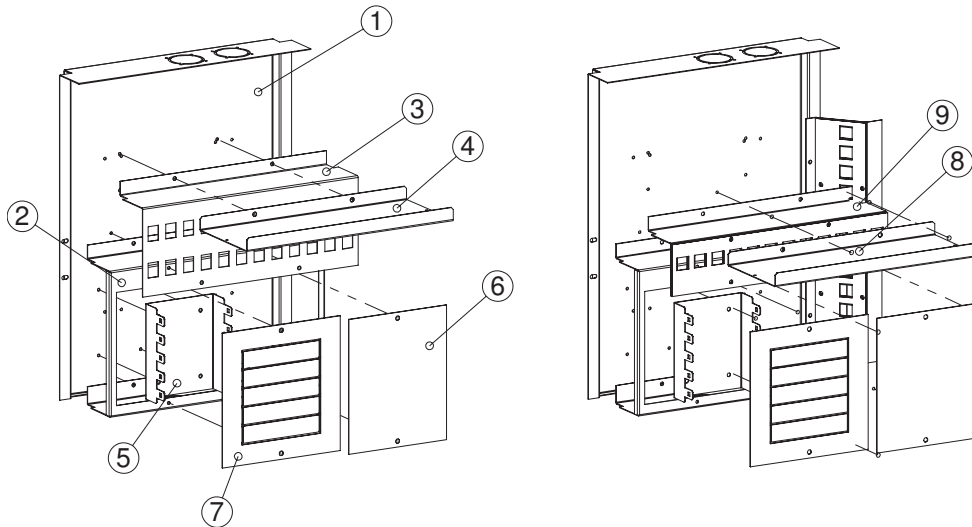


50043510 Data RJ-panel 8 15*20

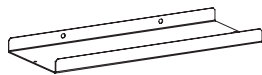


50043530 Data RJ-panel 12 15*19

DATA PARTS



Code	Description	Type	Width mm	Height mm	
50044160	Mounting plate	Data	356	445	①. Mounting plate
50044030	Cover frame	Data	329	200	②. Cover frame
50044035	Connection module mounting frame	Data	104	130	③. RJ-panel 24
50044040	Connection module cover	Data	180	185	④. IT Rack
50044045	Cover for TV/radio mode space	Data	149	185	⑤. Connection module mounting frame
50044050	IT Rack 65 mm	Data	315	125	⑥. Cover for TV/radio mode space
50044051	IT Rack 31 mm	Data	315	95	⑦. Connection module cover
					⑧. IT Rack
					⑨. RJ Series



IT Rack 65 mm

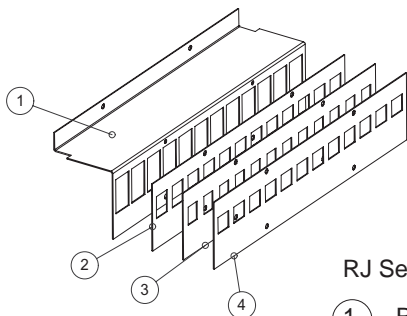
Is used with 65 mm deep door and cover



IT Rack 31 mm

Is used with 31 mm deep door and cover

DATA RJ SERIES

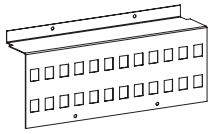


Code	Description	Type	Width mm	Height mm
50044055	RJ Series	Data	329	72

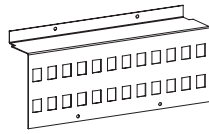
RJ Series includes:

- ①. RJ 22 * 36
- ②. RJ 18 * 23 adapter
- ③. RJ 15 * 19 adapter
- ④. RJ 18 * 17 adapter

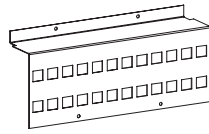
RJ-PANEL 24



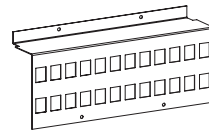
50044150



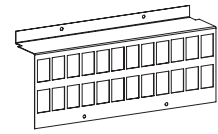
50044152



50044154



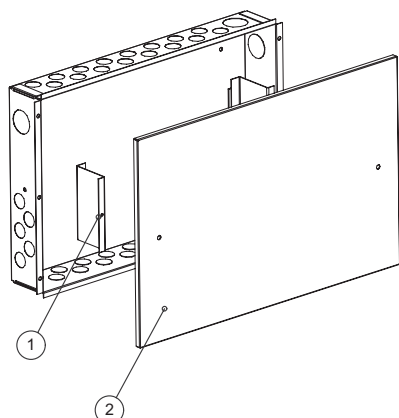
50044156



50044158

Code	Description	Type	Width mm	Height mm
50044150	RJ-panel 24	15*19	329	122
50044152	RJ-panel 24	15*20	329	122
50044154	RJ-panel 24	18*17	329	122
50044156	RJ-panel 24	18*23	329	122
50044158	RJ-panel 24	22*36	329	122

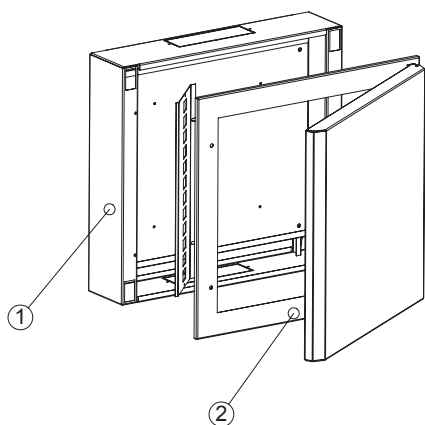
BLIND COVERS AND MOUNTING PIECES



- ① Mounting pieces
- ② Blind cover

Code	Description	Type	Width mm	Height mm
50045100	Blind cover 1D and mounting pieces (2 pcs)		438	283
50045101	Blind cover 3D and mounting pieces (2 pcs)		438	411

TELE 3D



- ① Surface-mounted frame for tele 3D
- ② Cover and door

Code	Description	Type	Width mm	Height mm
50045105	Surface-mounted frame for tele 3D + mounting plate		433	406
50045110	Cover and door for tele 3D		438	411